



LANDSBERG

WINDOWS REINFORCEMENTS CATALOGUE



LANDSBERG

LANDSBERG is a client-oriented producer specializing in PVC window and door reinforcements. It has operated since 2001 from its base in the northern Poland, near Gdańsk, as a company wholly owned by Polish investors.

From day one, it has produced cold-formed profiles, sections and fittings for windows and doors, ventilation systems and plasterboards.

Owing to the personal commitment and high qualifications of our staff, we have become the second largest supplier of window and door reinforcements on the Polish market.

LANDSBERG production process starts with the cutting of steel sheets into strips and ends with the formation of sections for almost all window and door systems.

We are a fast-growing organization investing in high-tech solutions and boasting a great number of satisfied clients. We are the first-choice supplier of window and door sections for more than 300 clients. Not only do we supply them with a wide range of products along with expert advice, but we also offer them extremely short lead times. One of the keys to our success is providing value for money in a long-term perspective.

We have been ISO 9001:2008 certified which is proof of our highest production standards and Quality Control systems.

Our Company in numbers:

- We have approx. **2 500 000 m** of steel sections and fittings in stock at all times.
- The total area of our Company's premises is **55 000 m²**.
- Our manufacturing and warehousing **facilities have** a useful area of **10 000 m²**.
- We use **2 500 t** of steel in our manufacturing processes per month.
- Our offering includes **600** types of reinforcement profiles and fittings.
- We have over **300** clients including PVC system suppliers e.g. SALAMANDER, ALUPLAST, PROFINE etc.
- We employ **90** people in our R&D, QC, production and sales departments.
- We have **10** account managers and customer support specialists.
- We use **8** production lines including steel sheet cutting and profiling machines.
- We are **the second** largest window and door reinforcement supplier in Poland.

PRODUCTS:

Our offering includes window and door **reinforcements for most PVC window systems** including Aluplast, Decco, Deceuninck, Gealan, KBE, Profine/ Kommerling, Rehau, Roplasto, Salamander, Schüco, Veka, Wital and many more.

Profile **thicknesses** vary from **0,5 to 4 mm**.

Standard profile **lengths** are **5,85 m or 6 m**. At the Client's request, we can make sections and fittings to order, with lengths ranging from **0,25 to 7 m**.

MATERIALS:

We use only high-quality materials: galvanized steel for cold processing according to European quality and safety standards (e.g. DX51D; EN 10346).

QUALITY:

Production Quality Management and Quality Control systems based on **ISO 9001**.

INNOVATION:

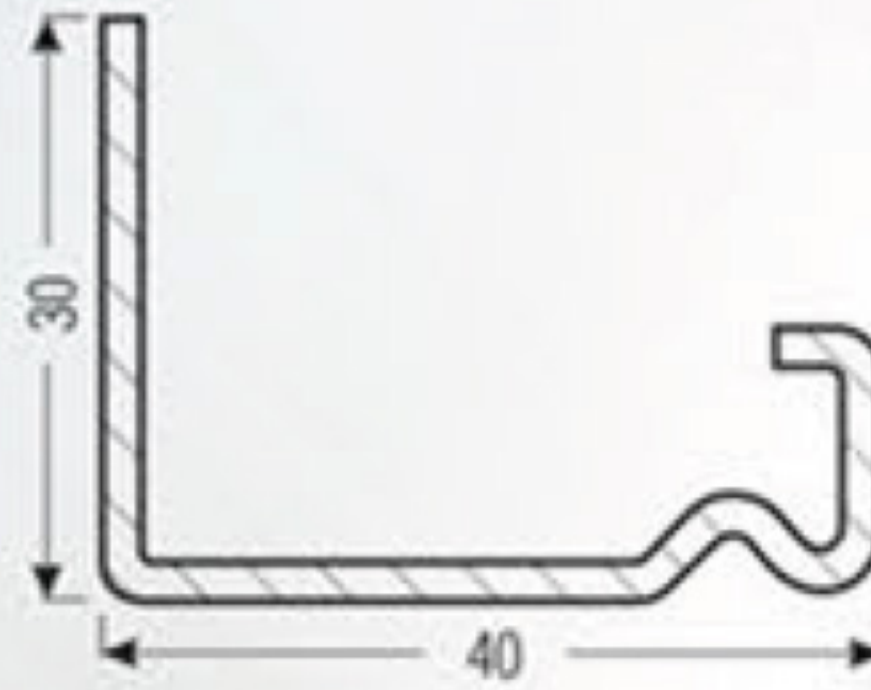
We have implemented several **patents and technology innovations**.

Our **R&D** department makes it easier for us to cooperate with construction, automotive and engineering companies.

No.	Symbol	Dimensions (mm)	Thickness (mm)
1	209 121	45 x 10	1,5
2	209 192	48 x 40	1,2
3	209 193	48 x 40	2,0
4	229 018	13 x 80	2,0
5	229 023	27 x 35	1,5
6	229 024	27 x 35	2,0
7	229 026	27 x 35	2,0
8	229 027	27 x 35	1,5
9	229 028	27 x 35	2,0
10	229 029	35 x 27	1,25 1,5
11	229 030	35 x 27	2,0
12	229 037	35 x 17,5	1,5
13	229 040	40 x 40	1,5 2,0
14	229 063	14,5 x 48	2,0
15	229 100	35 x 20	1,25 1,5 2,0
16	229 101	35 x 20	1,5
17	229 102	45 x 20	2,0
18	229 107	25 x 15	2,0
19	229 110	35 x 15	1,5
20	229 111	35 x 15	2,0
21	229 112	30 x 30	1,25
22	229 113	30 x 30	2,0 3,0
23	229 114	35 x 40	1,5
24	229 115	35 x 40	2,0
25	229 121	30 x 30	1,5
26	229 125	50 x 40	2,0
27	229 135	50 x 50	2,0
28	239 019	30 x 32	1,5
29	239 020	30 x 32	2,0
30	239 129	30 x 20	1,5
31	239 130	30 x 20	2,0
32	249 007	50 x 35	2,0
33	249 009	35 x 35	1,5
34	249 010	27,5 x 38	1,5
35	249 013	50 x 40	2,0
36	249 034	45 x 40	1,25 1,5
37	249 035	45 x 40	2,0
38	249 192	30 x 35	1,5
39	259 002	30 x 40	1,5 2,0
40	259 010	35 x 30	1,5
41	259 011	35 x 30	2,0
42	259 020	27,5 x 40	1,25
43	259 021	27,5 x 40	2,0
44	259 025	30 x 40	1,5
45	259 043	40 x 20	1,5
46	259 926	60 x 40	2,0
47	289 066	28,5 x 45	2,0
48	299 922	40 x 20	2,0
49	299 944	30 x 25	1,5

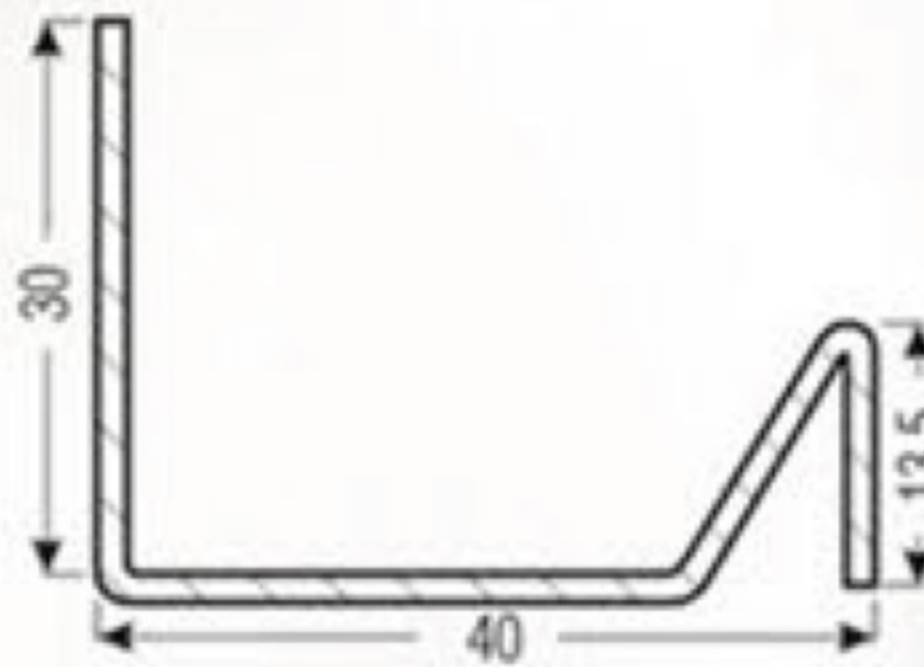
259 002

Thickness: 1,5 | 2,0 mm



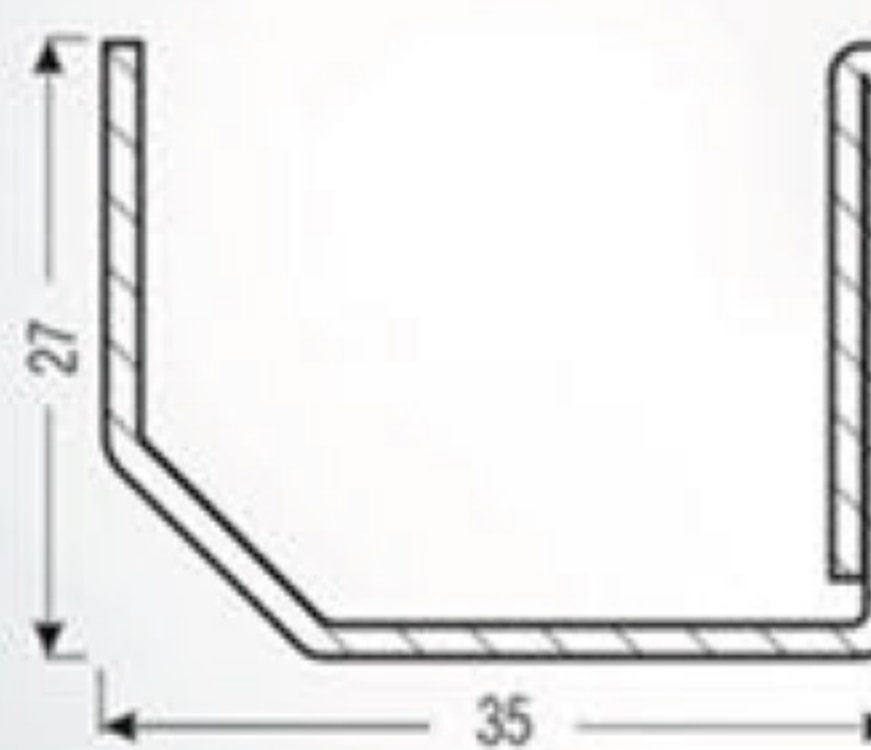
259 025

Thickness: 1,5 mm



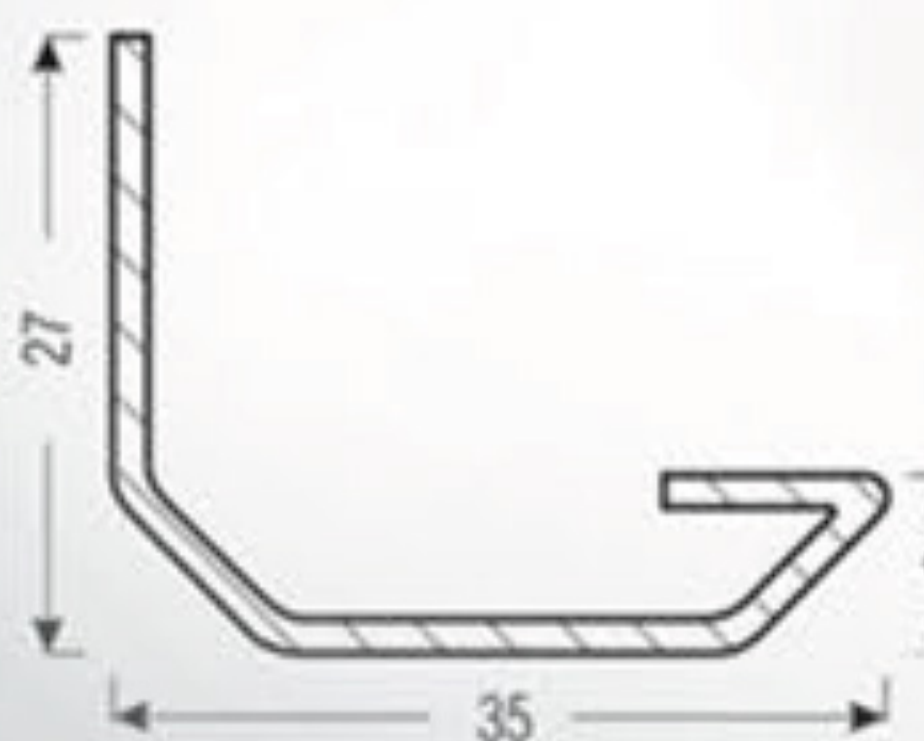
229 026

Thickness: 2,0 mm



229 027

Thickness: 1,5 | 2,0 mm

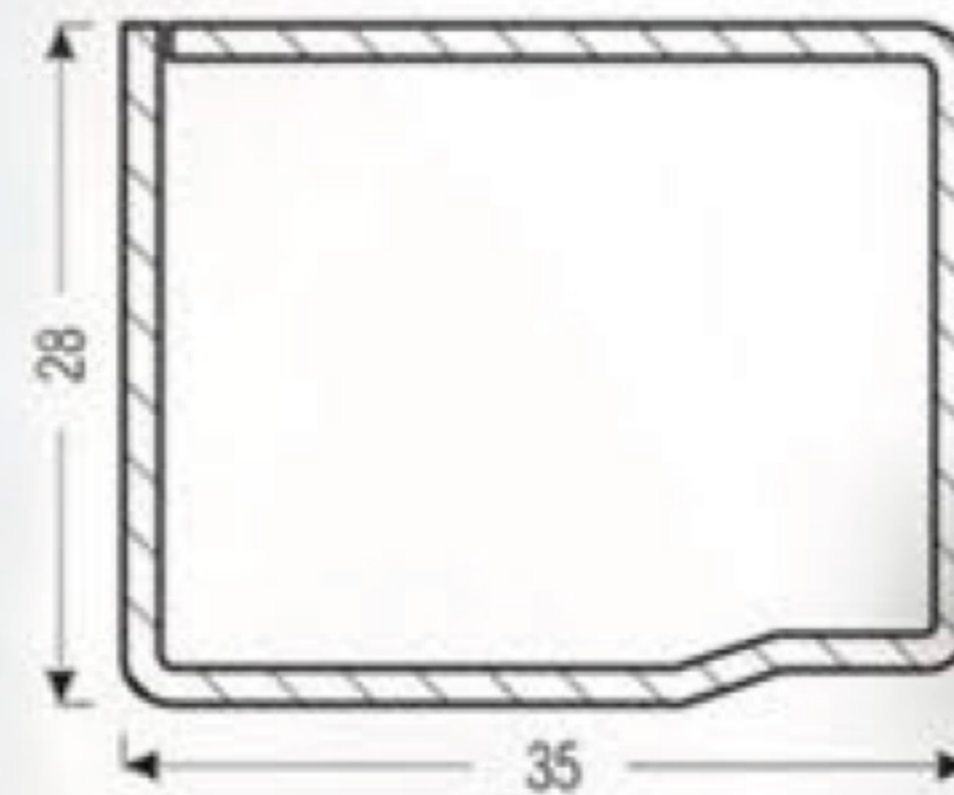


SALAMANDER

No.	Symbol	Dimensions(mm)	Thickness (mm)
1	AR 192	50 x 40	2,0
2	AR 303	40 x 40	1,5 2,0
3	AR 463	60 x 40	2,0 3,0
4	VS 1010	42 x 18,6	1,5
5	VS 1020	42 x 26,6	1,5
6	VS 1030	51,3 x 40	1,5
7	VS 1050	28,6 x 39,8	2,0
8	VS 1120	42 x 26,6	1,25
9	VS 1200	15 x 23,8	1,5
10	VS 3010	46 x 25	2,5
11	VS 3020	40 x 25	2,0
12	VS 3030	40 x 35	2,0
13	VS 3040	50 x 50	2,0
14	VS 3120	50 x 10	1,5 2,0
15	VS 4020	40 x 15	2,0
16	VS 8020	26 x 30	1,5 2,0
17	VS 8030	58,4 x 40	1,5
18	VS 8050	26 x 35	2,0
19	VS 8320	37 x 20	2,0
20	VS 8520	37 x 26	1,5
21	VS 8620	26 x 36,7	2,0
22	VS 9800	30 x 42,9	2,0
NEW! 23	VS 9060	59 x 35	2,0
24	215 120	45 x 20	2,0
25	405 015	43 x 17	2,0
26	405 065	50 x 40	2,0
27	415 020	40 x 20	2,0
28	445 020	35 x 18	1,5
29	445 030	35 x 30	2,0
30	445 140	40 x 35	2,0
31	445 230	27 x 35	1,5 2,0
32	445 240	51 x 35	2,0
33	455 230	28 x 35	1,5 2,0
34	455 235	28 x 35	1,5
35	475 045	45 x 25	2,0
36	625 220	60 x 48	2,0
37	655 010	27,4 x 9,6	1,5
38	655 020	35 x 7	1,5
39	655 030	50 x 20	2,0
40	655 210	38 x 28,2	1,5
41	655 230	54 x 27,7	2,0
42	655 250	28 x 27	1,5

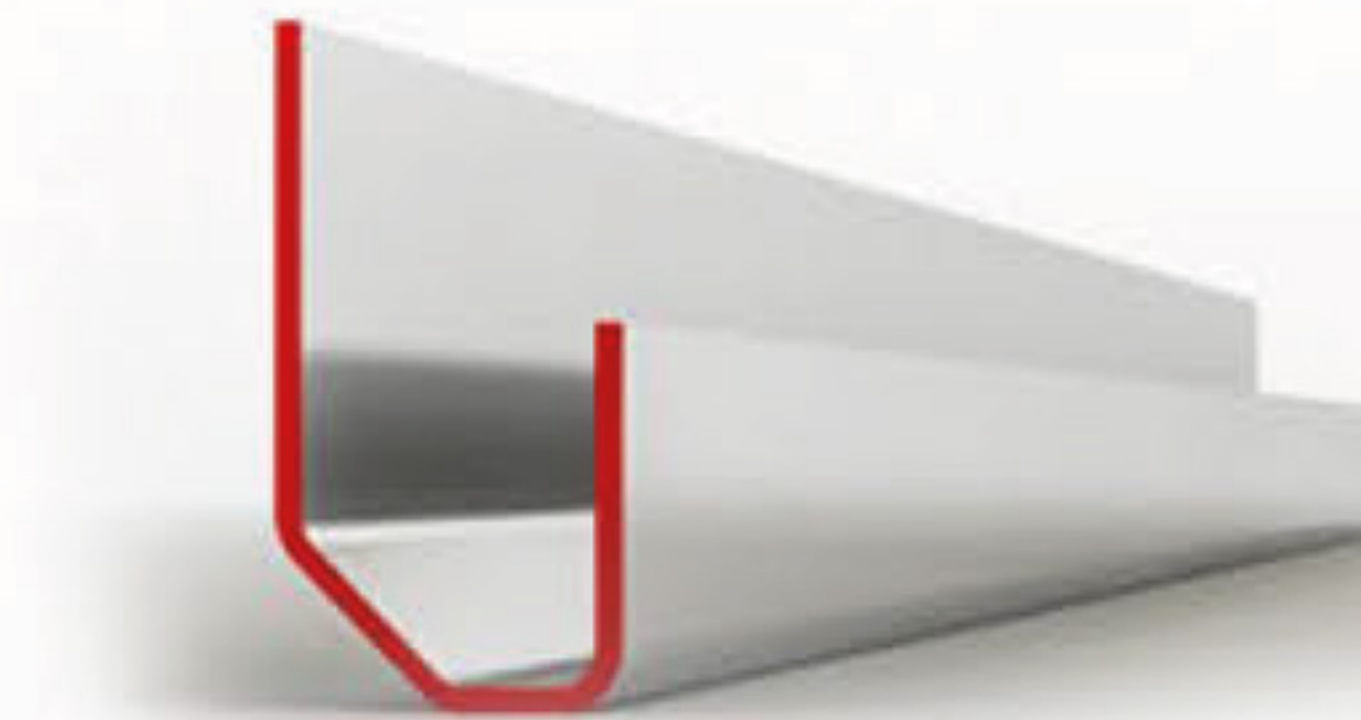
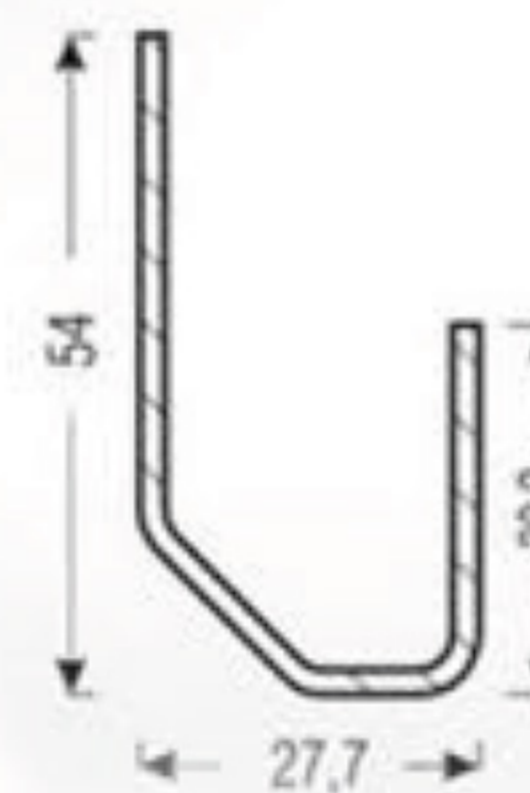
455 235

Thickness: 1,5 | 2,0 mm



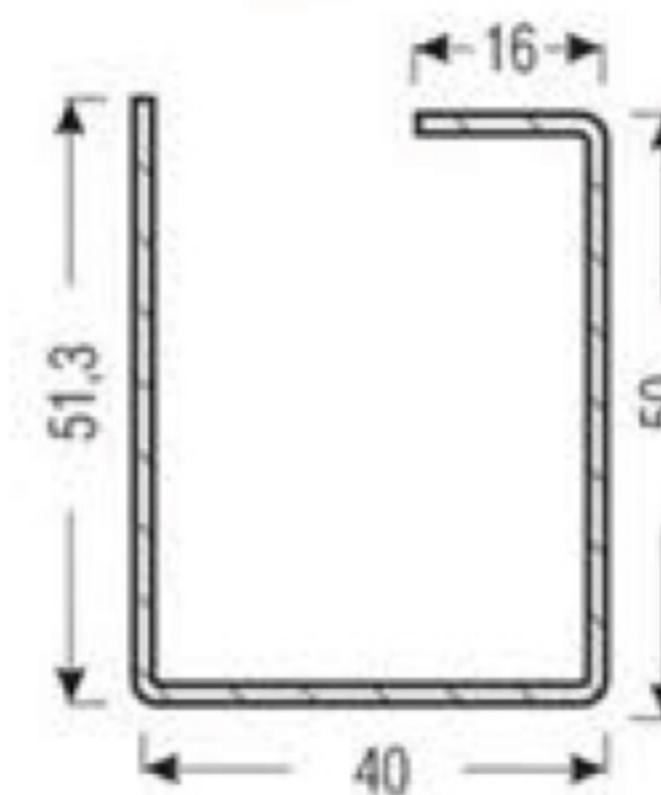
655 230

Thickness: 2,0 mm



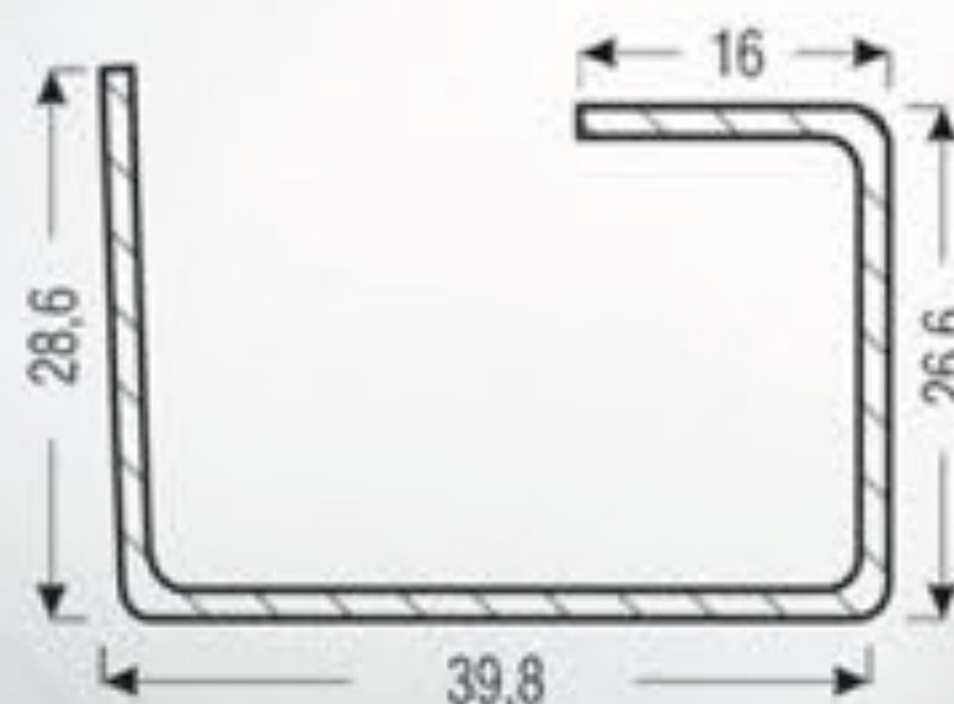
VS 1030

Thickness: 1,5 mm



VS 1050

Thickness: 2,0 mm

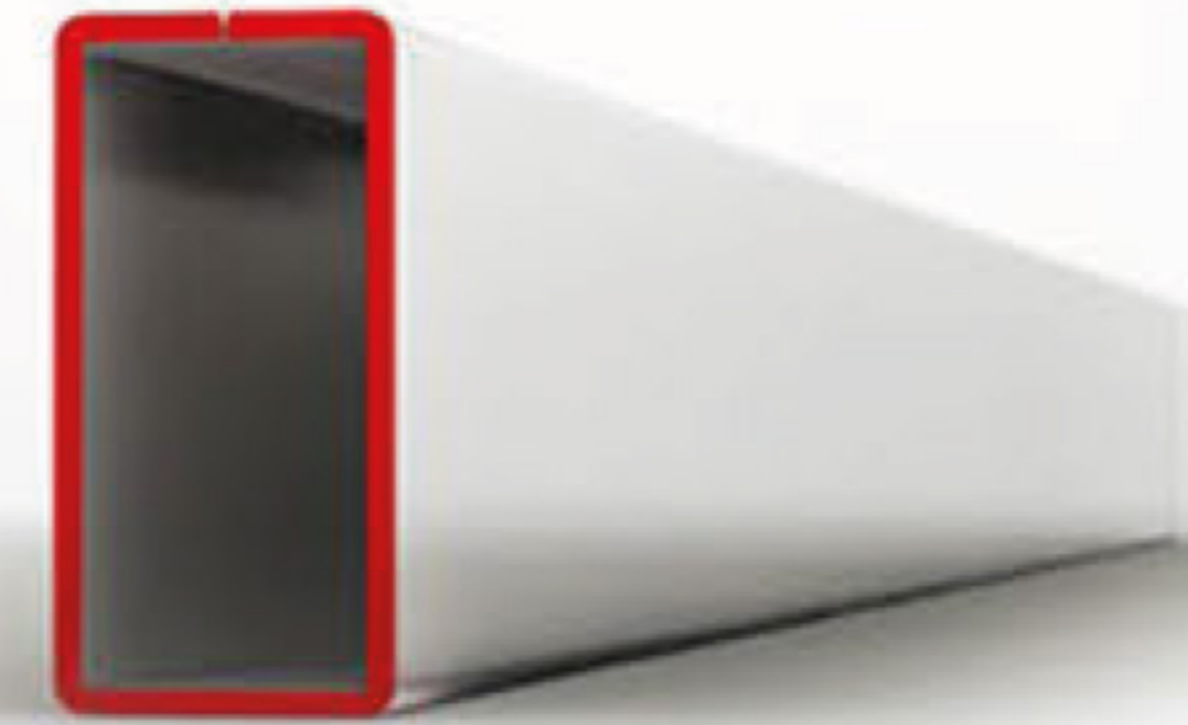
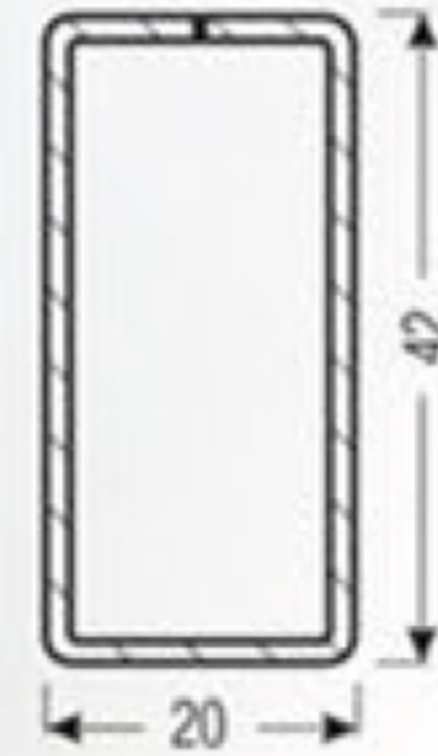


DECCO

No.	Symbol	Dimensions (mm)	Thickness (mm)
1	90-100-10	28 x 28	1,5
2	90-101-10	28 x 28	1,25 1,5 2,0
3	90-102-10	28 x 30	1,8
4	90-104-10	42 x 20	1,5
5	90-106-10	28 x 28	2,0
6	90-108-10	28 x 17	1,5
7	90-112-10	27,5 x 41,5	1,5
8	90-122-10	27,5 x 41,5	2,0
9	90-124-10	42 x 20	2,0
10	90-150-10	34 x 24	1,25
11	90-151-10	34 x 24	1,25
12	90-152-10	28 x 36	1,25
13	90-153-10	42 x 20	1,25
14	90-154-10	28 x 36	1,5
15	90-156-10	28 x 34	1,5 2,0
16	90-157-10	28 x 34	1,5
17	90-235-10	60 x 40	1,5 2,0
18	90-236-10	40 x 40	1,5 2,0
19	90-243-10	43,5 x 34	2,0

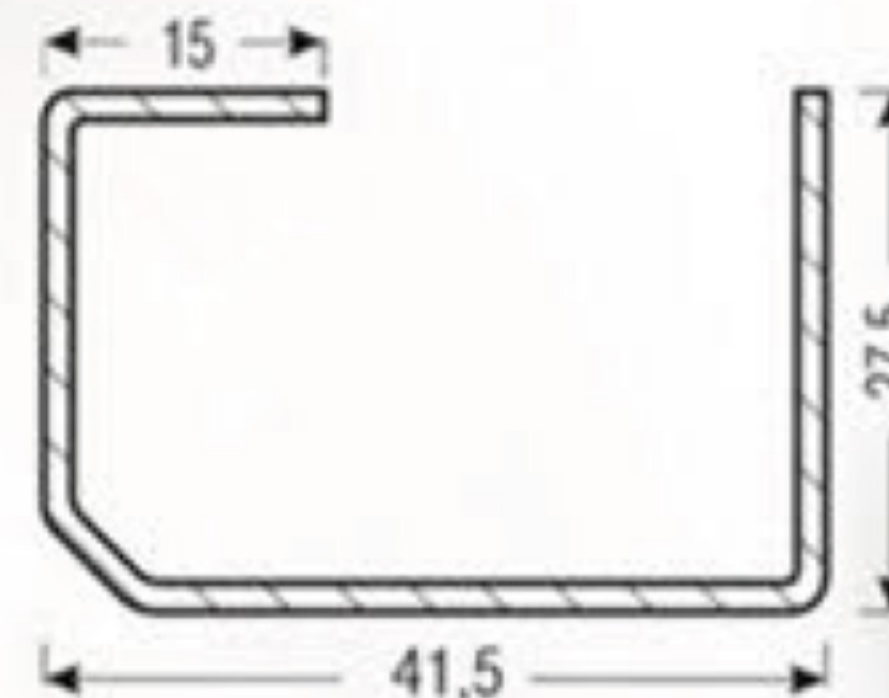
90-104-10

Thickness: 1,25 | 1,5 | 2,0 mm



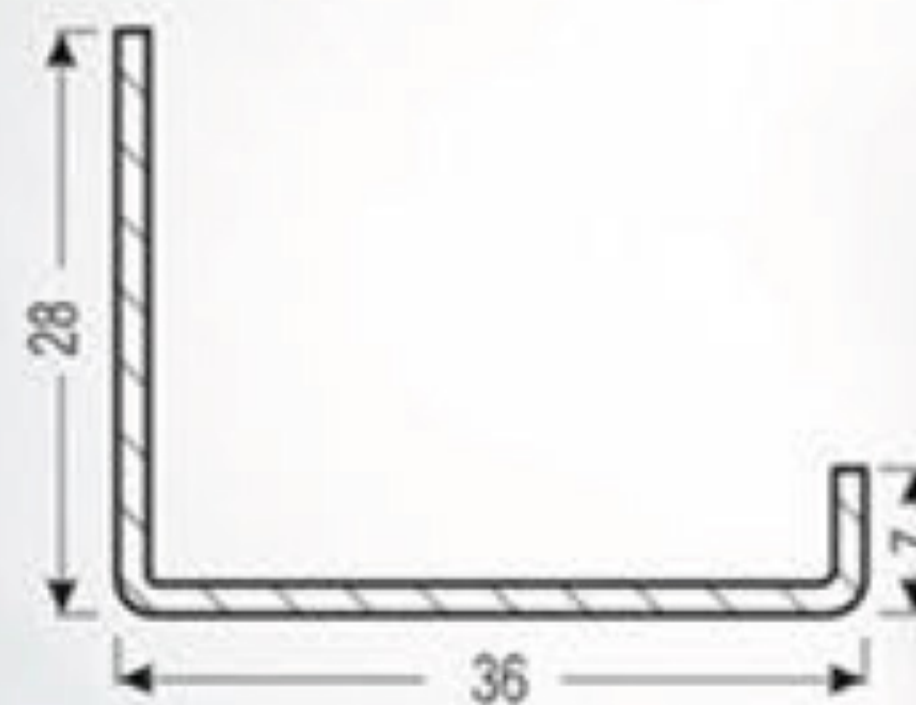
90-122-10

Thickness: 1,5 | 2,0 mm



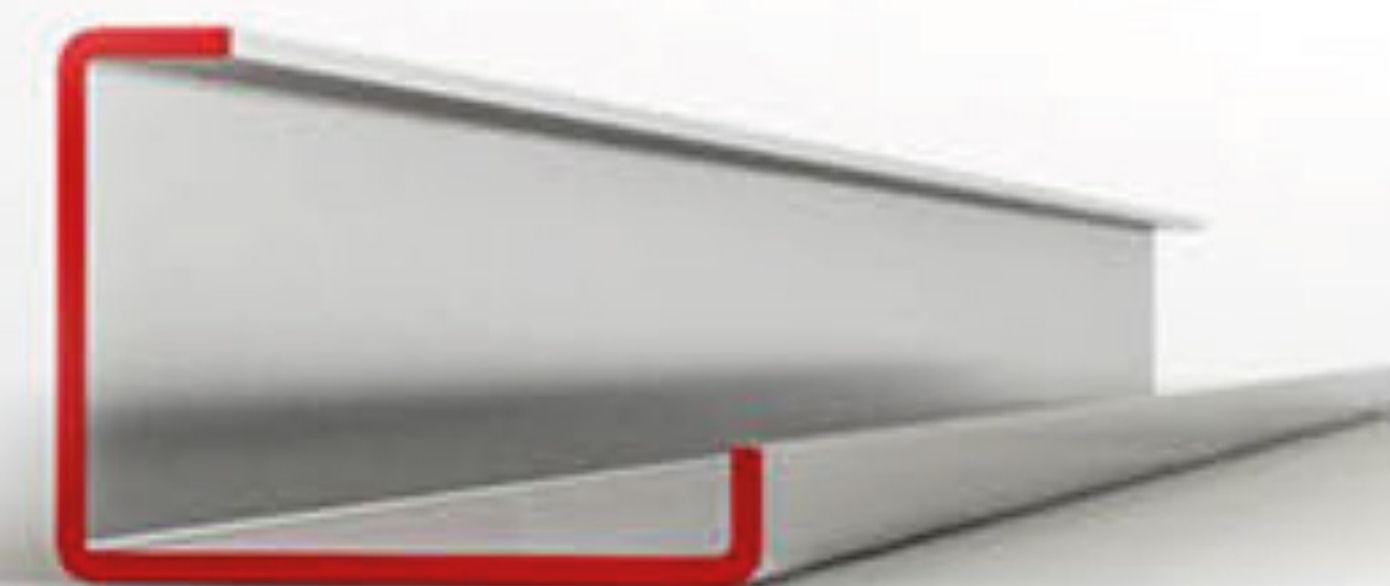
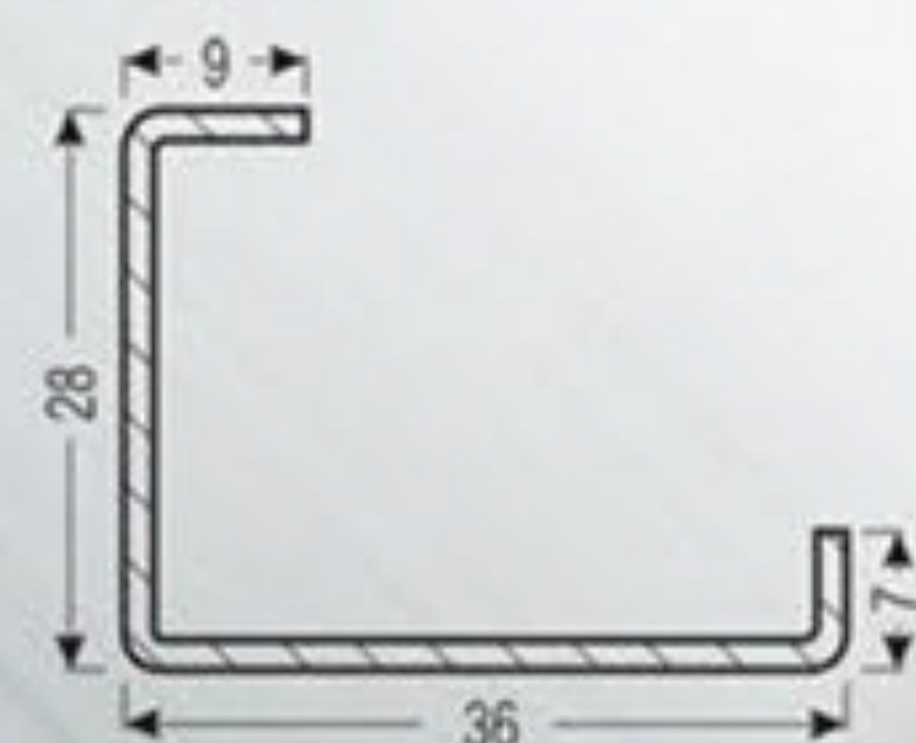
90-152-10

Thickness: 1,25 mm



90-154-10

Thickness: 1,5 mm

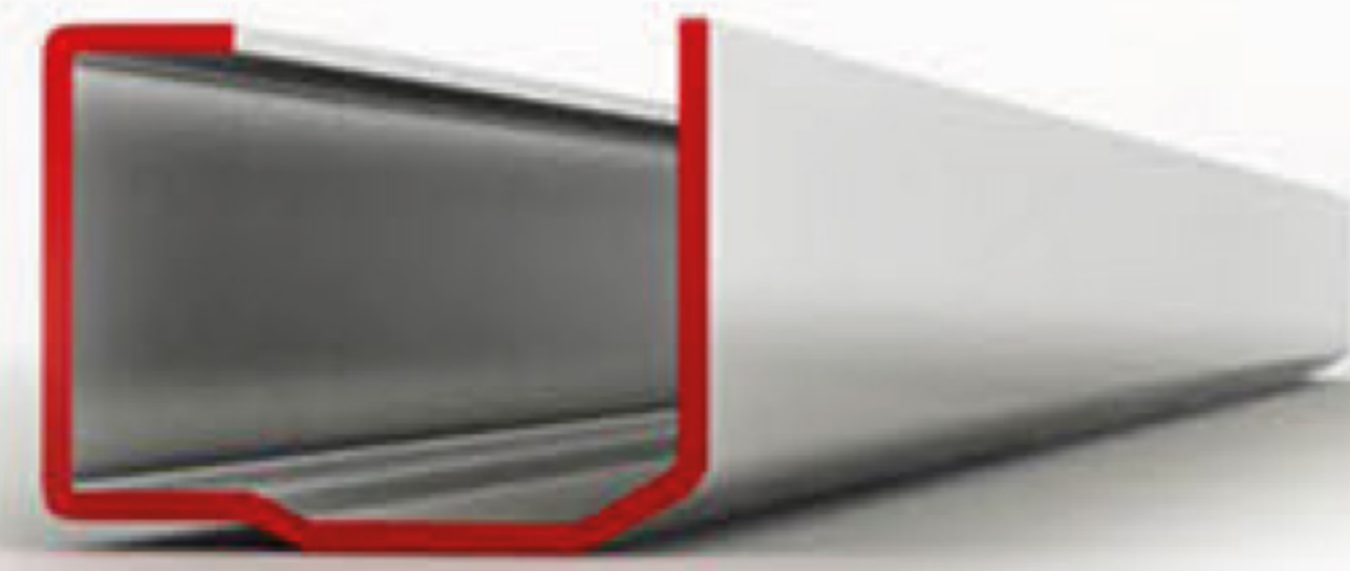
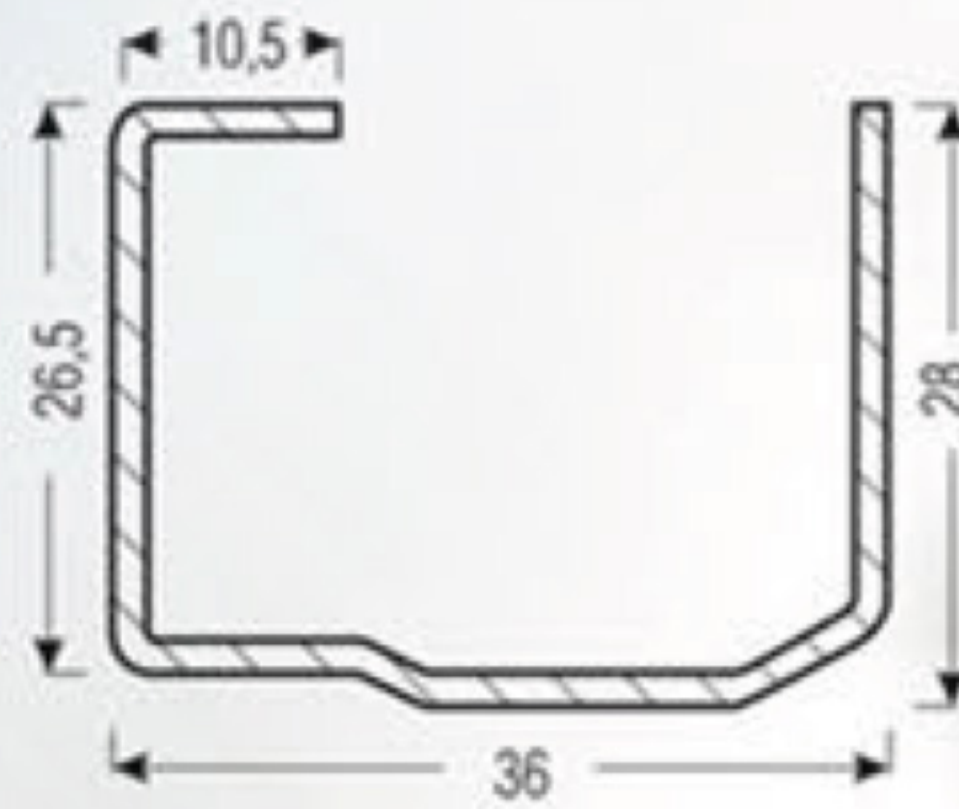


LANDSBERG

No.	Symbol	Dimensions(mm)	Thickness (mm)
1	3206	34,5 x 25,7	1,5 2,0
2	NAO 184	30 x 27,6	1,5 2,0
3	NAU 184	27,6 x 30	2,0
4	NAC 184	27,6 x 35,6	1,5 2,0
5	NAT 184	29,6 x 40	1,75
6	NAL 184	27,6 x 30	1,5 2,0
7	NAS 184	30 x 20	1,5 2,0
8	NAC 284	53,5 x 42	2,0
9	NAO 284	30 x 42,6	1,5
10	HA 1	15 x 80	1,5
11	NA 3	40 x 30	1,5
12	NA 4	40 x 40	1,5 2,0
13	NA 7	30 x 15	1,5 2,0
14	NA 13	30 x 30	1,25 1,5 2,0 3,0
15	NA 21	25 x 25	2,0
16	NA 22	40 x 25	1,5 2,0
NEW! 17	NAP 76	30 x 42,6	1,75
18	NA 30	10 x 60	2,0
19	NA 38	25 x 25	1,5
20	NA 44	25 x 41,5	1,5
21	NA 476	55 x 45	2,0
22	NA 51	43 x 36	1,5
23	NA 58	28 x 36	2,0
24	NA 65	28 x 35	1,25 1,5 2,0
25	NA 70	25,5 x 35	1,25 1,5 2,0
26	NA 105	50 x 35	1,5 2,0
27	SA 2	30 x 10	1,5

NA 58

Thickness: 1,5 | 2,0 mm



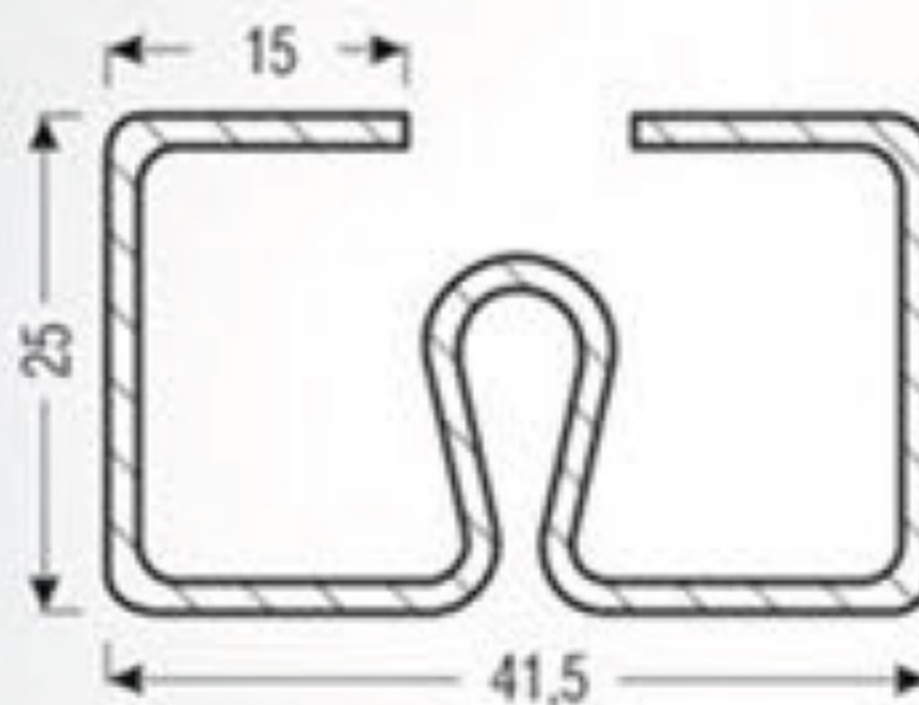
HA 1

Thickness: 1,5 mm



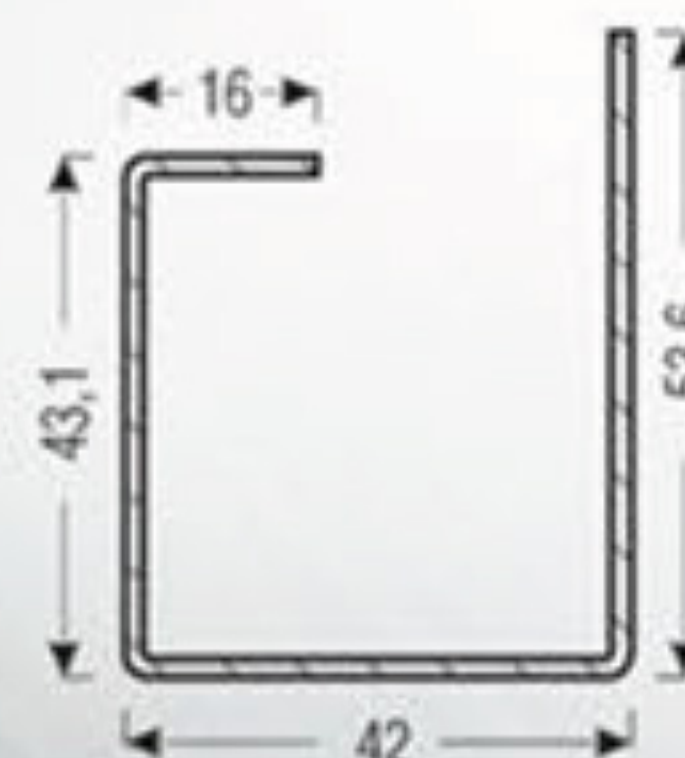
NA 44

Thickness: 1,5 mm



17046

Thickness: 2,0 mm

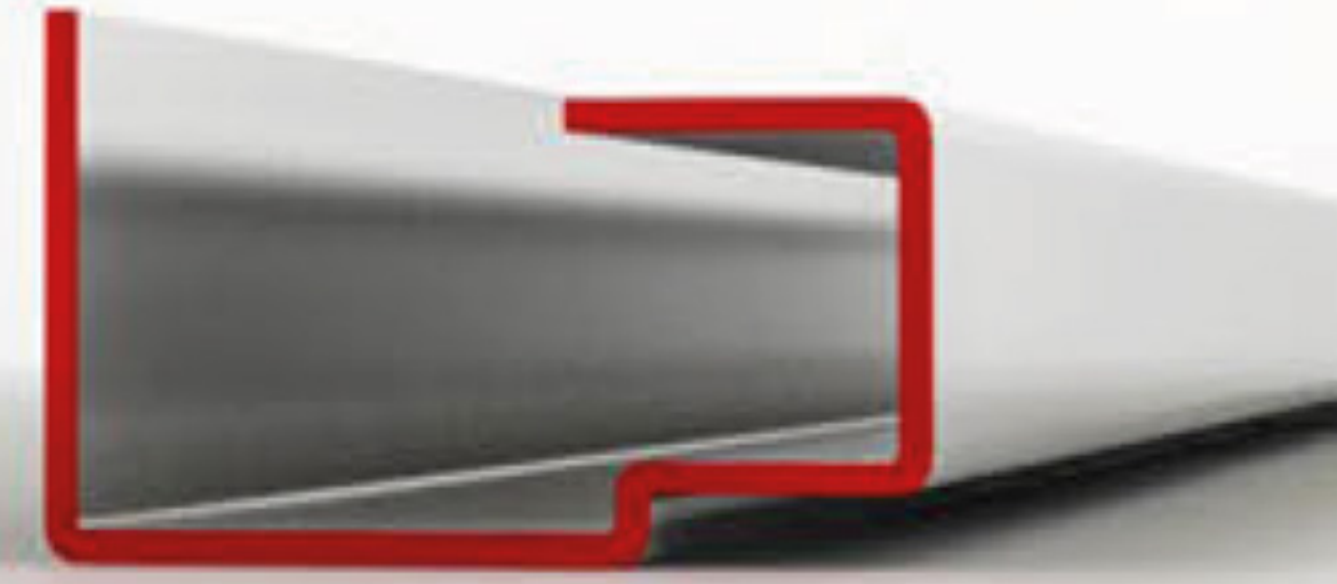
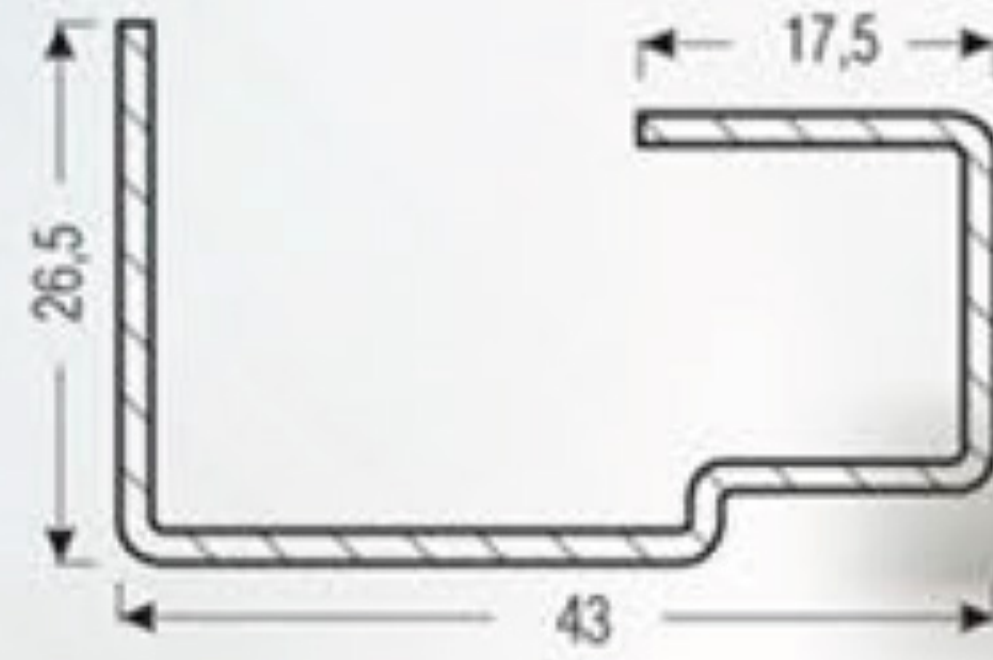


GEALAN

No.	Symbol	Dimensions (mm)	Thickness (mm)
1	2724	40 x 20	2,0
2	6705	26,5 x 30	1,5
3	6706	26,5 x 30	2,0
4	6709	26,5 x 26,5	1,5
5	6711	44 x 19,5	1,5
6	6712	40 x 17,5	1,5 2,0
7	6713	26,5 x 43	1,5
8	6714	26,5 x 43	2,0
9	6737	26,5 x 26,5	2,0
10	6747	26 x 40,5	1,5
11	7701	29,5 x 27,5	1,5 2,0
12	7703	26,5 x 30	2,0
13	7796	50 x 10	2,0
14	8391	24,5 x 65	1,5
15	8393	55 x 46	2,0
16	8701	43 x 27,5	2,0
17	8703	27,5 x 43	2,0
18	8704	27,5 x 46	2,0
19	8705	40 x 42,5	1,5 2,0
20	8710	35,5 x 27,5	1,5
21	8715	28,5 x 28,5	1,5 2,0
22	8716	28,5 x 28,5 x 28,5	1,25 1,5
23	8723	28,5 x 31	1,5 2,0
24	8727	28,5 x 28,5	2,0
25	8736	60 x 46	2,0
26	8751	43 x 27,5	1,5
27	8753	27,5 x 43	1,5
28	8754	27,5 x 46	1,5
29	8770	30 x 23	1,5

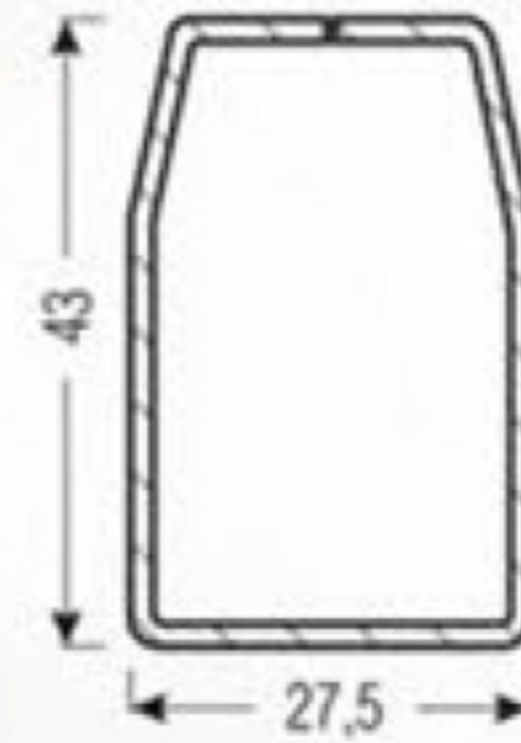
6713 | 6714

Thickness: 1,5 | 2,0 mm



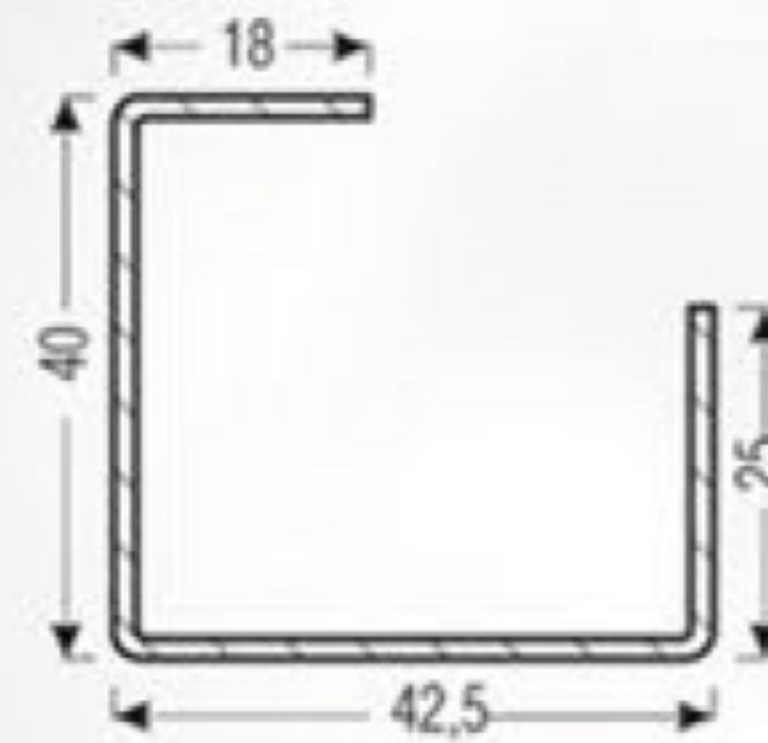
8751 | 8701

Thickness: 1,5 | 2,0 mm



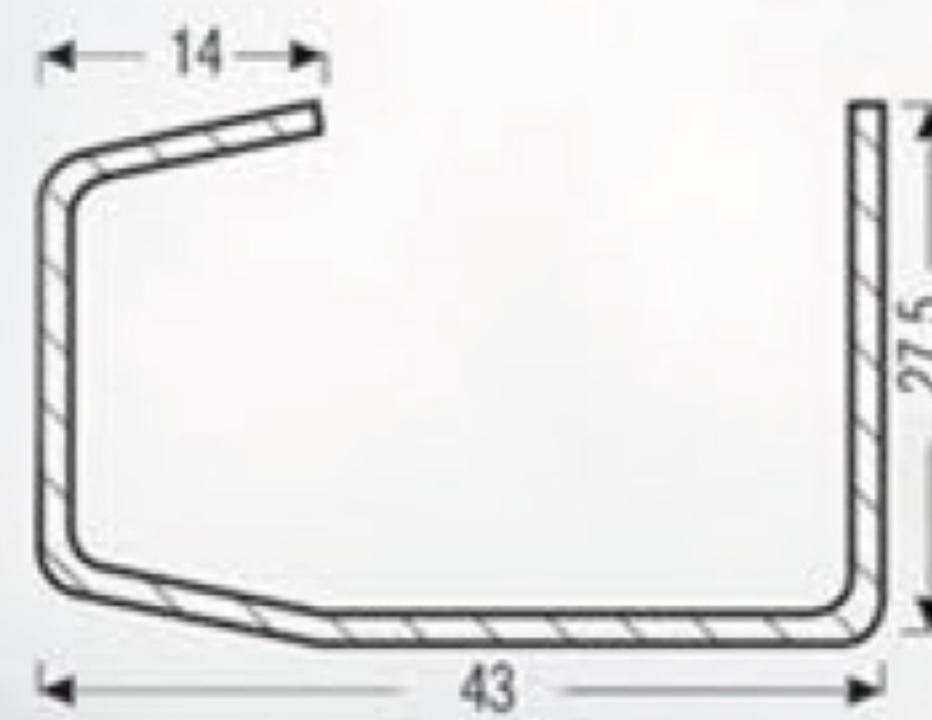
8705

Thickness: 1,5 | 2,0 mm



8753 | 8703

Thickness: 1,5 | 2,0 mm



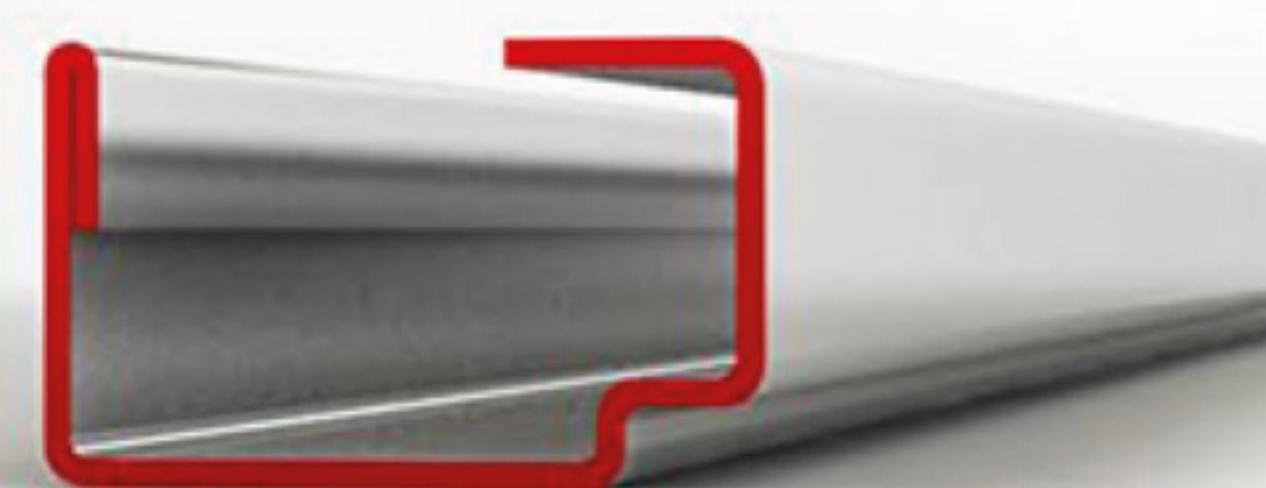
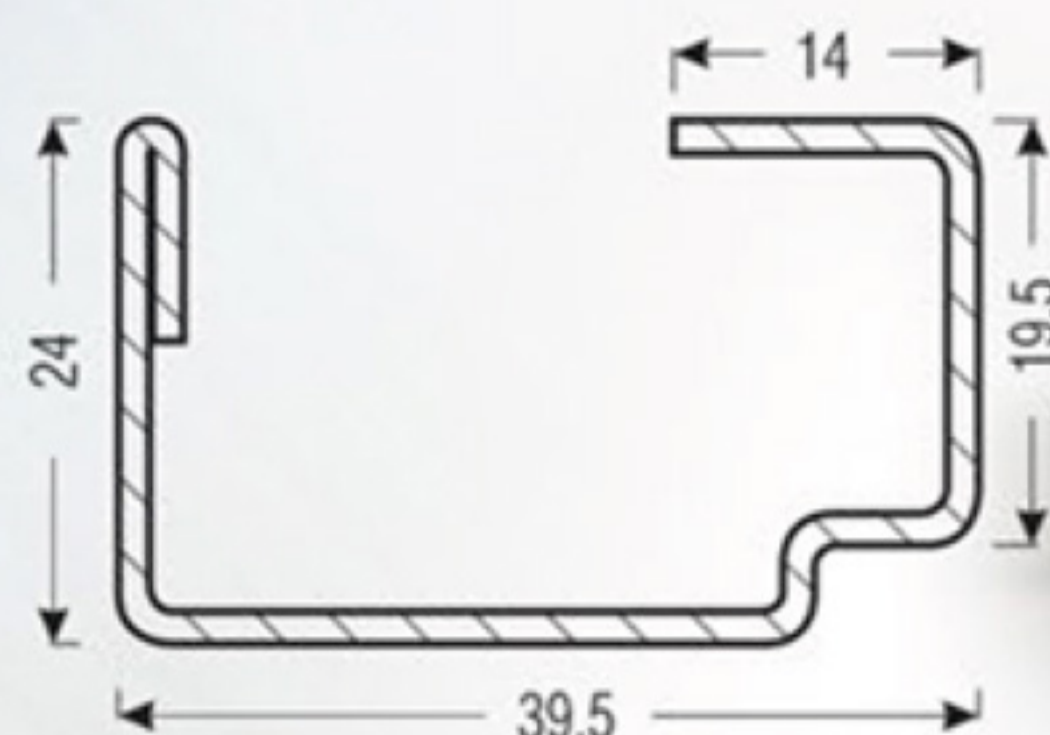
LANDSBERG

PROFINE

No.	Symbol	Dimensions (mm)	Thickness (mm)
1	9101	24 x 34	1,5
2	9177	30 x 14	2,0
3	9183	24 x 39,5	1,5
4	9188	36,5 x 40	2,0
5	9203	24 x 39,5	1,5
6	V026	27 x 38	1,5
7	V104	32 x 35	1,25
8	V106	48 x 35	1,5
9	V107	20 x 44	1,5
10	V155	40 x 10	2,0
11	V157	20 x 15	1,5
12	V260	60 x 40	2,5
13	V270	24,9 x 26	1,5
14	V285	38 x 20	1,5
15	V303	28 x 32,5	1,5
16	V306	28 x 32,5	1,5
17	V307	28 x 32,5	2,0
18	V308	28 x 32,5	2,5
19	V309	32,5 x 28	1,5
20	V310	32,5 x 28	2,0
21	V312	33 x 13	1,5
22	V314	35 x 45	2,0
23	V317	40 x 25	2,0
24	V318	29 x 37	2,0
25	V320	29 x 37	1,5
26	V327	28 x 32,5	1,25
27	V328	28 x 32,5	1,25
28	V329	32,5 x 28	1,25
29	V343	29 x 45	1,5
30	V362	39 x 39	2,0
31	V478	27 x 37	1,5
32	V480	32,5 x 28	2,5
33	V481	27,6 x 34,5	2,5
34	V483	28 x 32,5	2,5

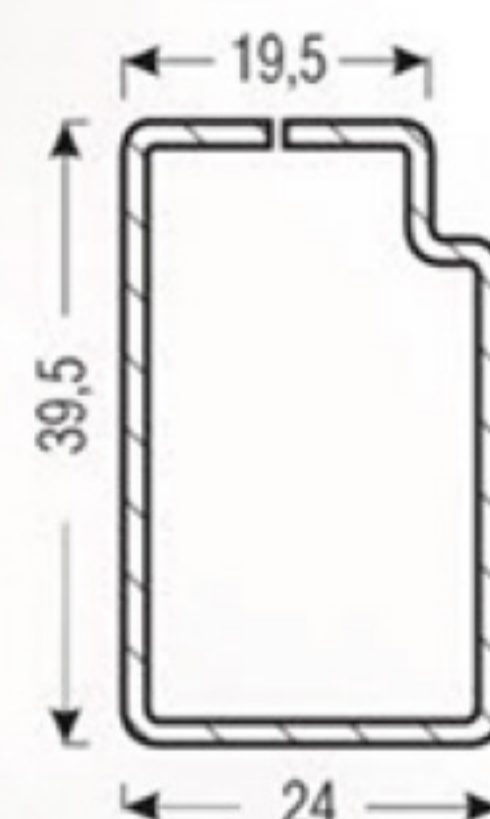
9183

Thickness: 1,5 mm



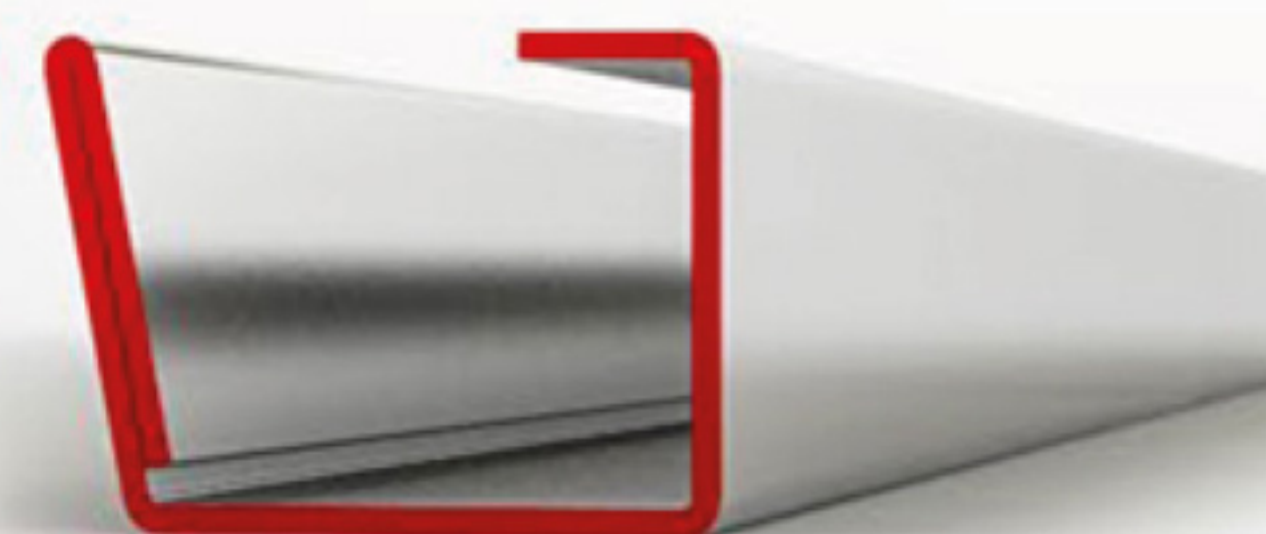
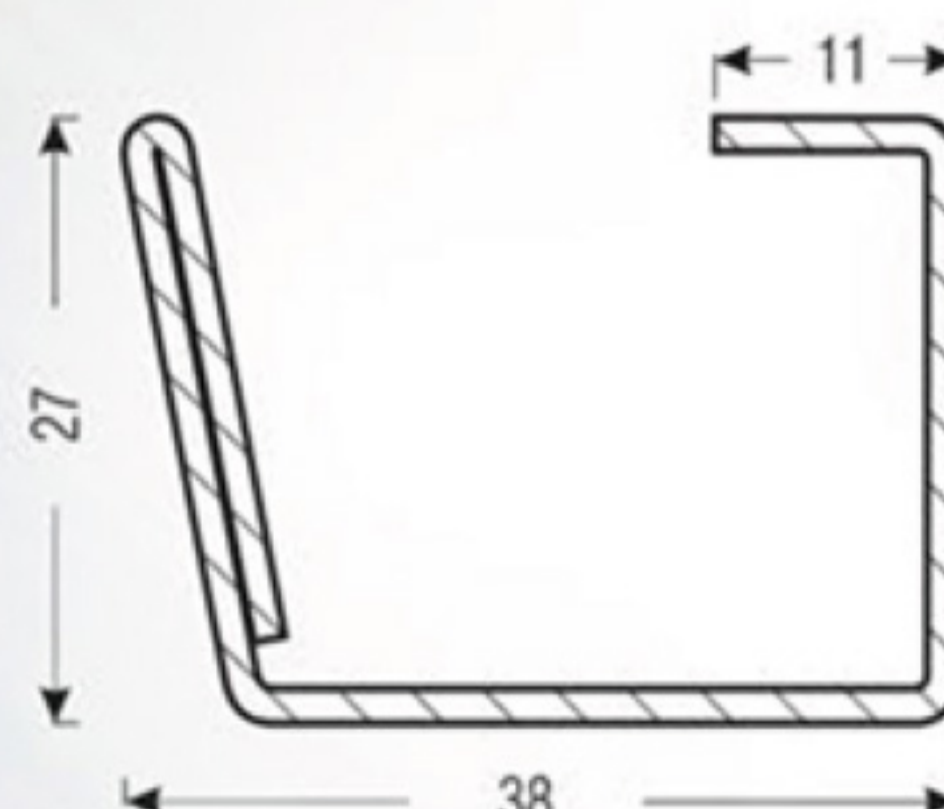
9203

Thickness: 1,5 mm



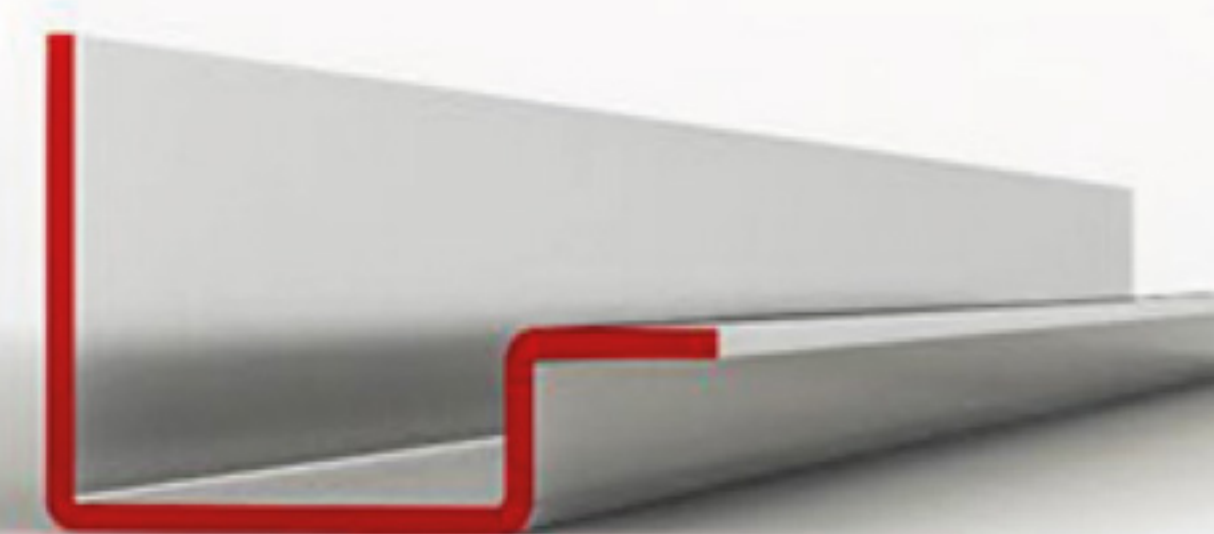
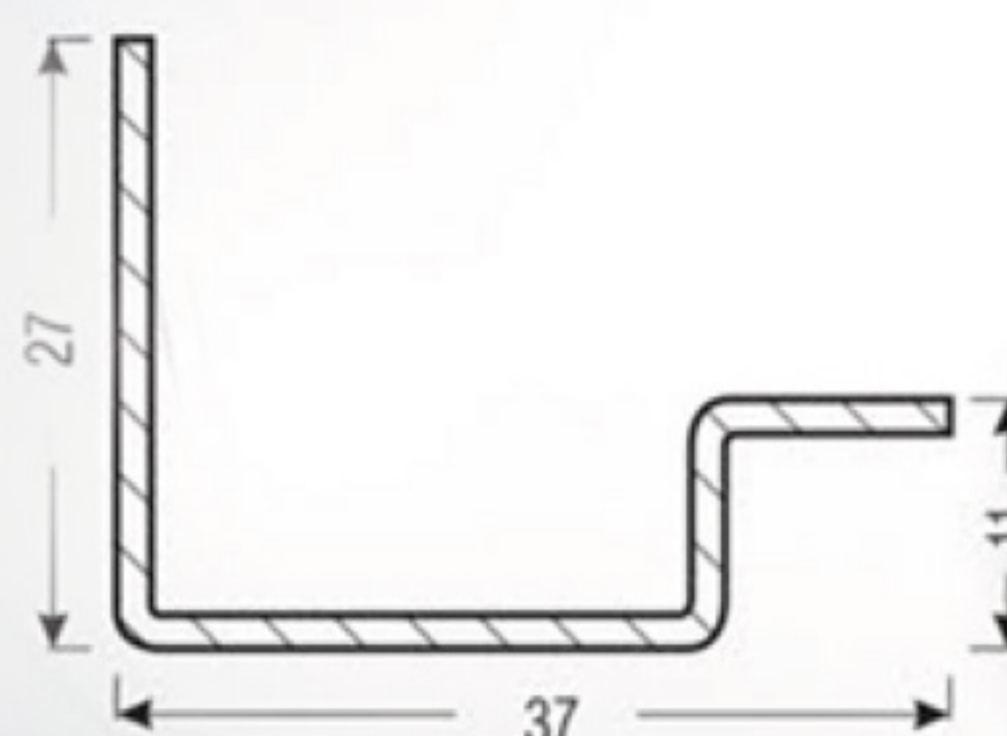
V026

Thickness: 1,5 mm



V478

Thickness: 1,5 mm



LANDSBERG

No.	Symbol	Dimensions (mm)	Thickness (mm)
1	222 065	50 x 15	1,5
2	237 091	35 x 28	1,5
3	244 506	28 x 35	1,5
4	244 516	28 x 35	1,5
5	244 526	28 x 35	2,0
6	244 546	35,5 x 28	1,5
7	245 536	20 x 35	1,5 2,0
7	251 886	50 x 40	2,0
8	258 524	25 x 20	2,0
9	261 831	20 x 35	1,5
10	352 519	32 x 35	1,5
11	355 520	25,3 x 35	1,5
12	356 520	25 x 35	1,5
13	357 544	35 x 30	2,0
14	357 552	40 x 25	2,0
15	357 666	35 x 30	1,5

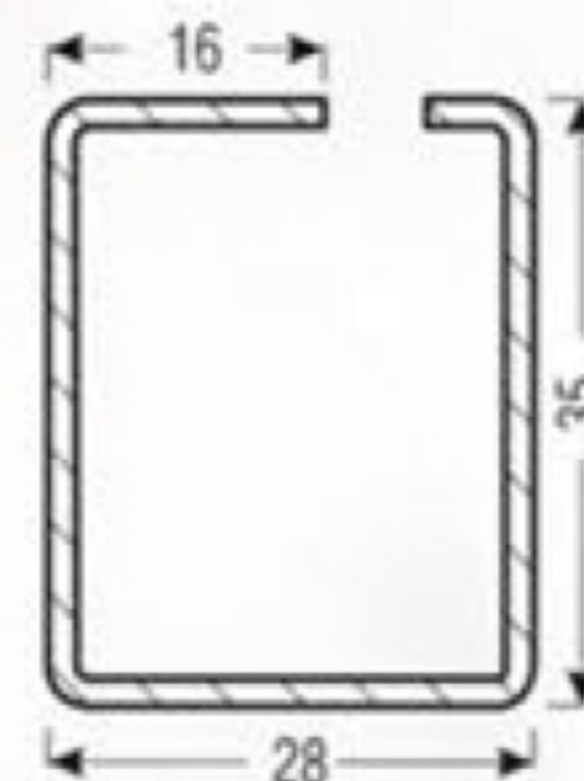
222 065

Thickness: 1,5 mm



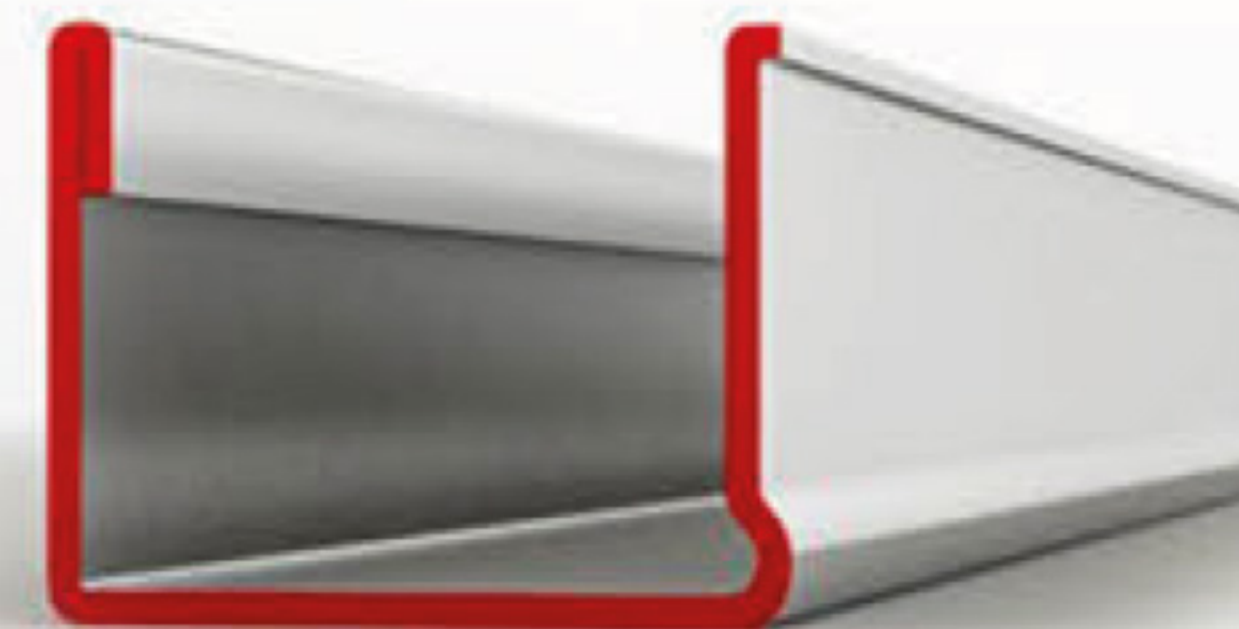
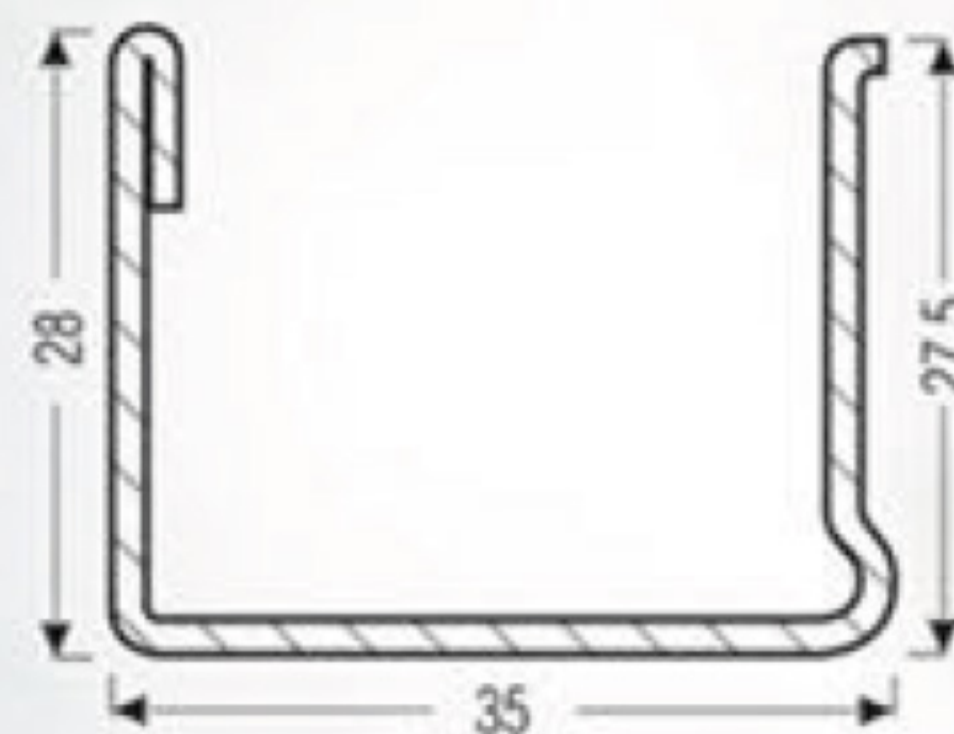
237 091

Thickness: 1,5 mm



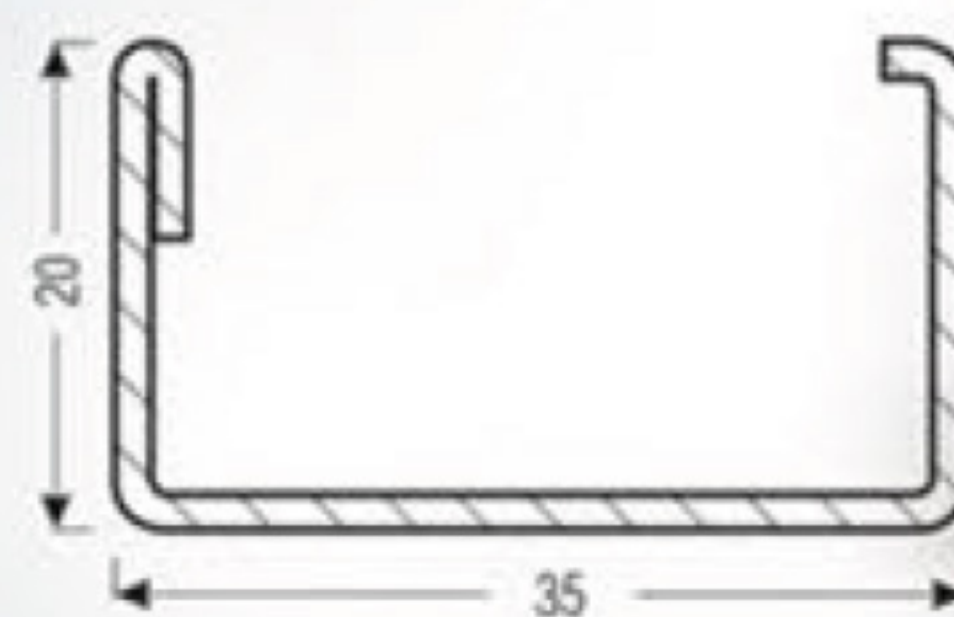
244 526 | 244 516

Thickness: 2,0 | 1,5 mm



261 831

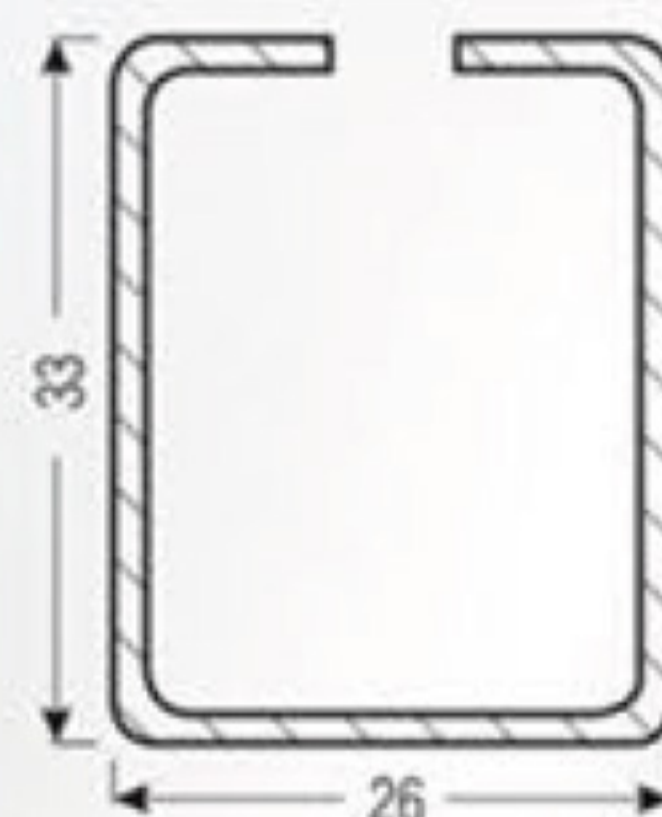
Thickness: 1,5 mm



No.	Symbol	Dimensions (mm)	Thickness (mm)
1	201 009	25 x 25	1,5
2	201 034	50 x 40	2,0
3	201 202	37 x 33	1,5
4	201 210	40 x 40	1,5 2,0
5	201 289	25 x 25	2,0
6	202 446	33 x 26	1,25 1,5 2,0
7	202 464	26,5 x 36	1,5
8	202 465	26,5 x 36	2,0
9	202 467	26,5 x 30,5	1,5 2,0
10	202 540	33 x 37	1,5
11	202 609	19,5 x 39	1,5
12	202 610	19,5 x 39	1,5
13	202 611	19,5 x 39	2,0
14	202 616	37 x 41	2,0
15	202 617	46 x 41	2,0
16	202 618	28 x 35	1,5
17	202 623	40 x 22	1,5 2,0
18	202 667	40 x 15	1,5
19	202 717	26 x 30	1,5
20	202 719	30 x 36	1,5
21	202 725	39 x 27	1,5
22	202 752	28 x 35	2,0
23	202 784	50 x 40	3,0

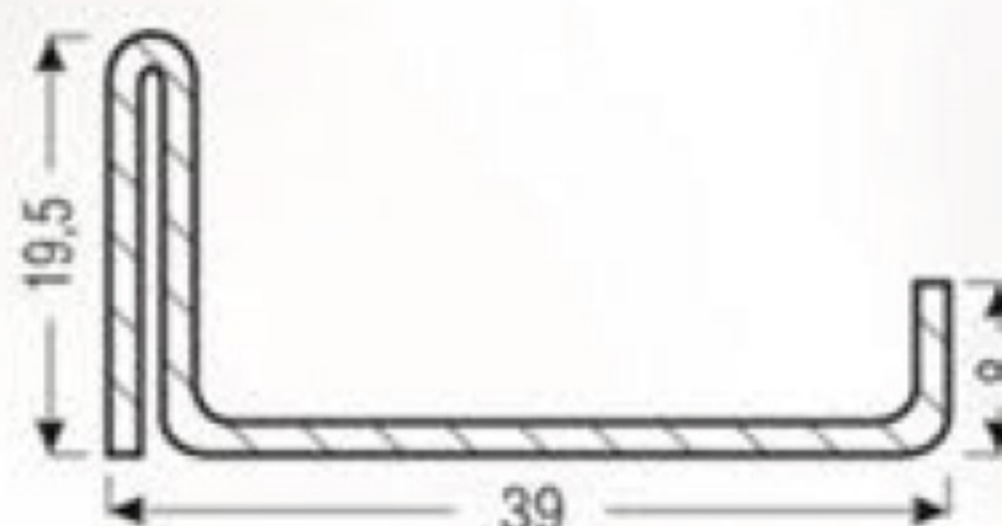
202 446

Thickness: 1,25 | 1,5 | 2,0 mm



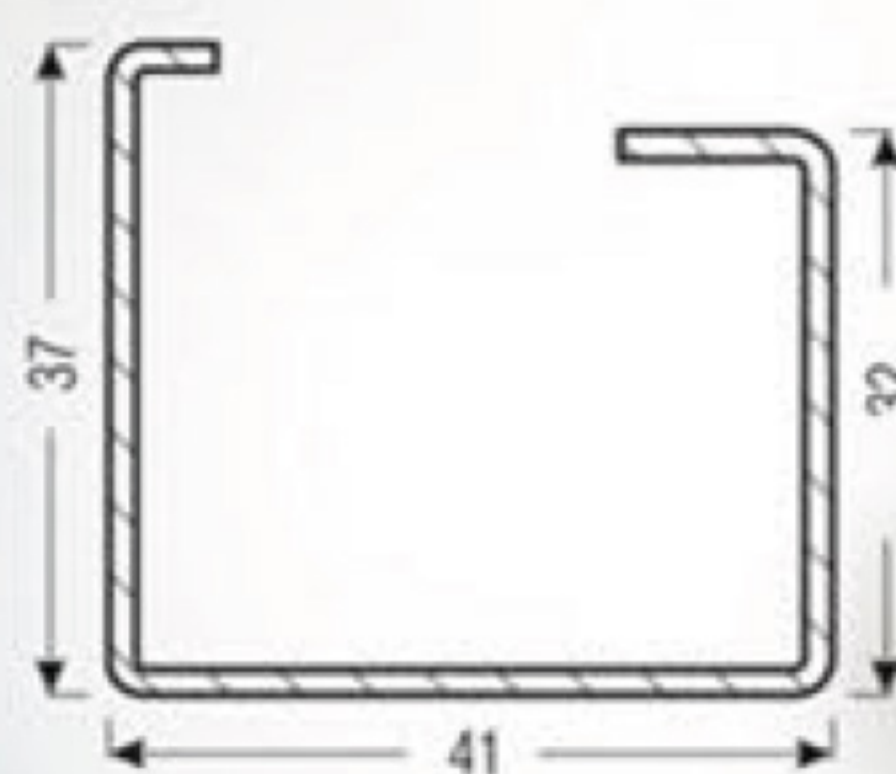
202 609 | 202 611

Thickness: 1,5 | 2,0 mm



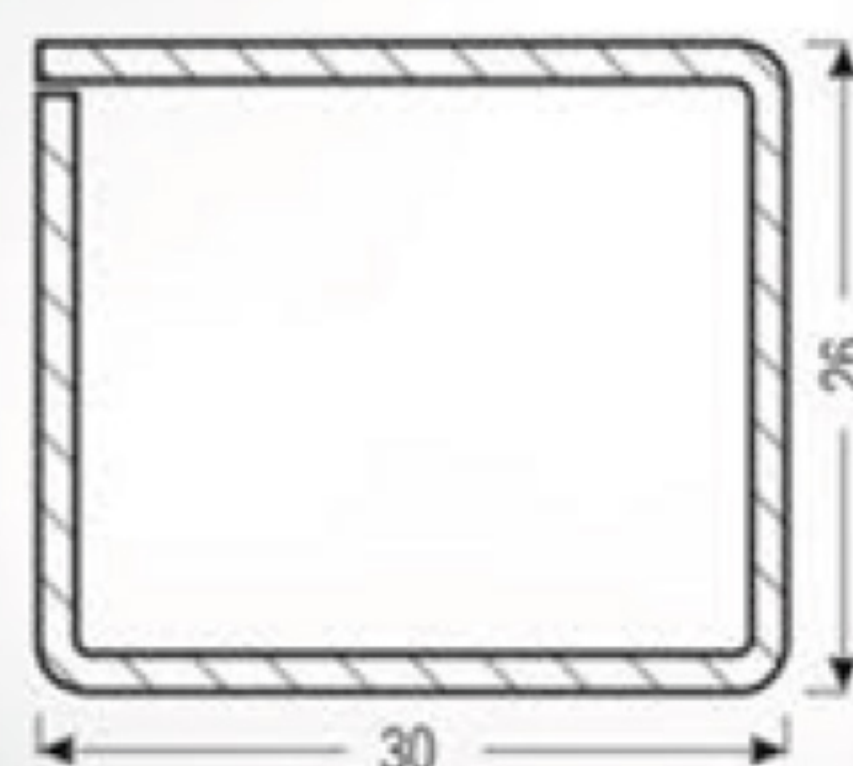
202 616

Thickness: 2,0 mm



202 717

Thickness: 1,5 mm

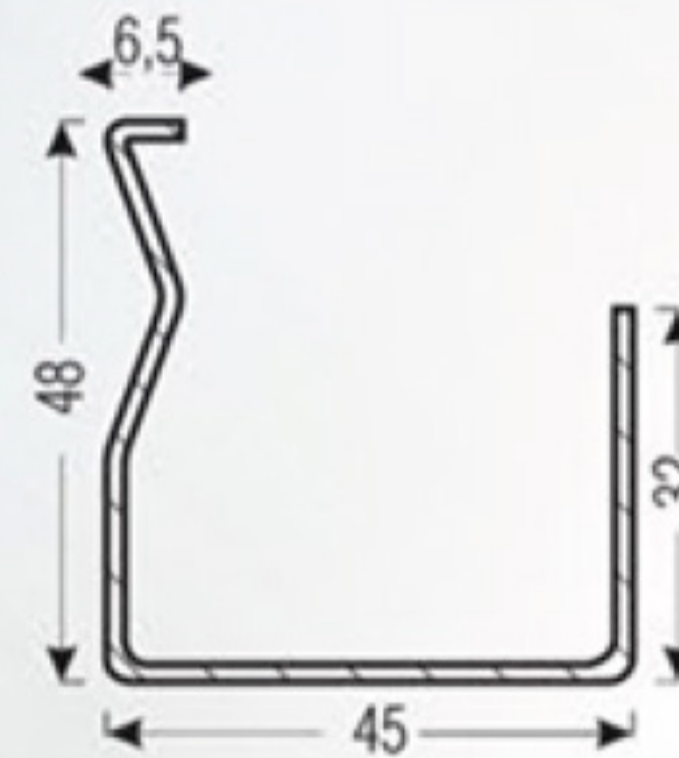


No.	Symbol	Dimensions (mm)	Thickness (mm)
1	113 001	40 x 30	1,5 2,0 3,0
2	113 002	30 x 25	1,25 1,5 2,0
3	113 010	27 x 36	1,5
4	113 011	60 x 40	2,0 3,0
5	113 013	50 x 10	1,5 2,0
6	113 019	30 x 20	1,5
7	113 020	30 x 10	1,5
8	113 025	30 x 30	1,25 1,5 2,0 3,0
9	113 028	40 x 10	1,5
10	113 046	50 x 30	1,5 2,0 3,0
11	113 052	58 x 45,5	2,0
12	113 055	30 x 15	1,5 2,0
13	113 073	38 x 15	1,5
14	113 270	48 x 45	1,5 2,0
15	113 271	30 x 38	1,5 2,0 3,0
16	113 281	40 x 40	1,5 2,0
17	113 286	65 x 45	2,0 3,0
18	113 292	29,7 x 38,8	1,5
19	113 294	29,7 x 38,8	1,75
20	113 312	12,5 x 43,5	1,5
21	113 368	45 x 47,5	2,0
22	113 449	40 x 48	2,0

NEW!
NEW!

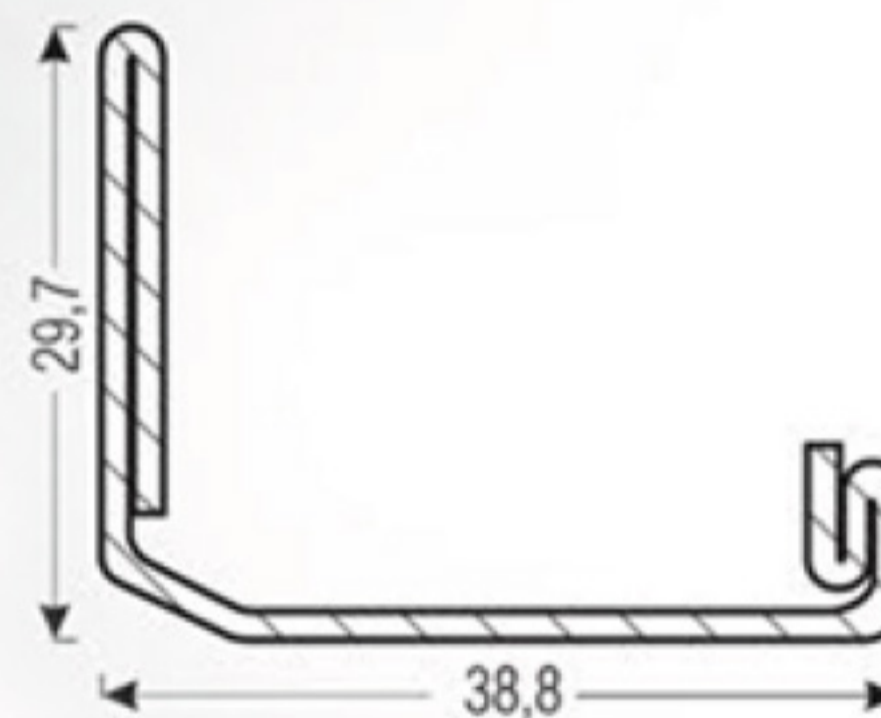
113 270

Thickness: 1,5 | 2,0 mm



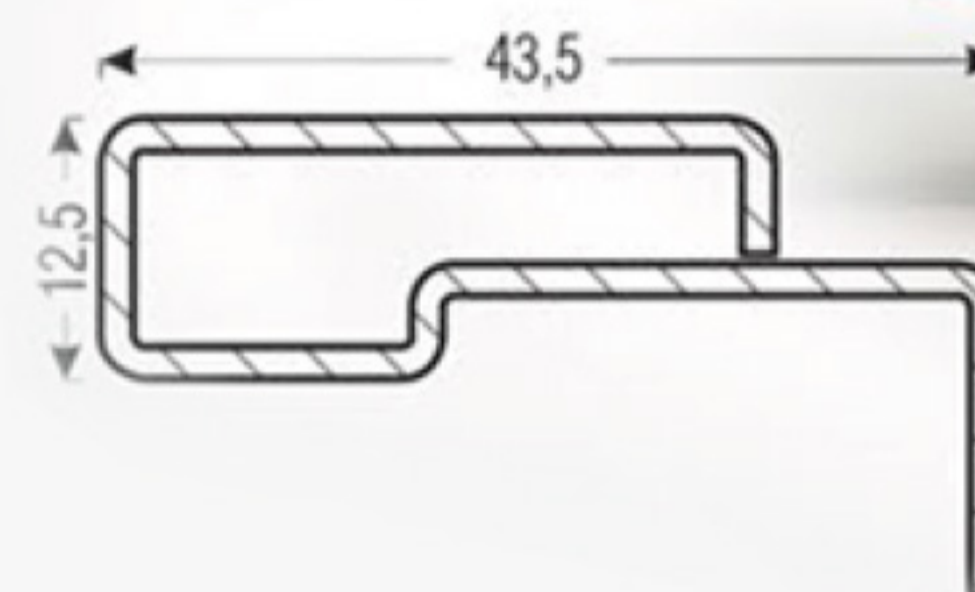
113 294

Thickness: 1,75 mm



113 312

Thickness: 1,5 mm



QUALITY AND INNOVATION

Our Company manufactures and offers only high-quality products which conform to any European technical and safety standards.

Since 2009, LANDSBERG has been approved to ISO 9001 quality management system.

LANDSBERG has an excellent record of past growth which is likely to continue in the future and in 2015 was granted the "Diamonds of FORBES" award.

To ensure further development, the Company is planning to develop new innovative production technologies.





LANDSBERG Sp. z o.o. Sp. k., Wolental 15 i, 83-213 Skórcz, POLAND

Sales department: tel.: +48 58 585 85 62

Export department: tel.: +48 58 585 85 63

Office: tel.: +48 58 585 85 36

e-mail: biuro@landsberg.pl